

SybronPRO™ TL

SybronPRO™ TL
Tissue Level Implant

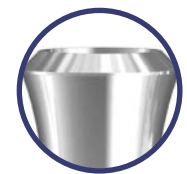
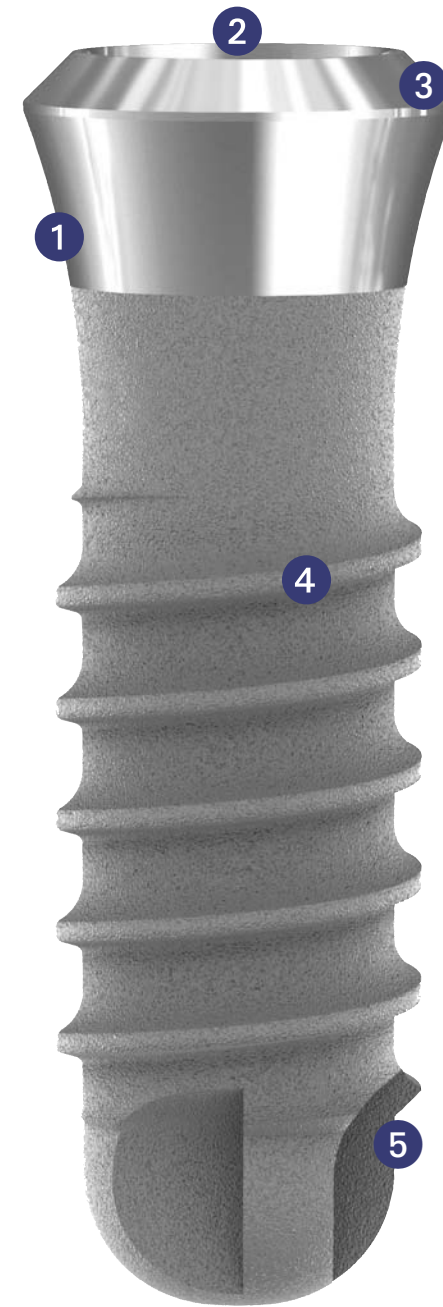
**Sybron
Implant Solutions**
SYBRON DENTAL SPECIALTIES

SybronPRO™ TL

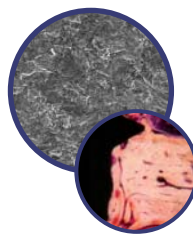
SybronPRO™ TL Dental Implants

The next generation of tissue level implants

The SybronPRO™ TL implants provide a new level of confidence and performance. Precision engineered, and built on a proven platform, with added features such as a unique apical cutting edge for enhanced primary stability.



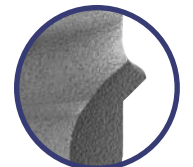
1 Transmucosal Collar is available in 1.8mm and 2.8mm heights



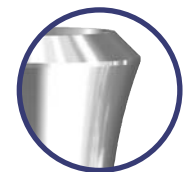
4 Resorbable Blast Media (RBM) Surface for enhanced osseointegration



2 Internal Octagon Morse Taper provides for indexing of abutments and a precision friction fit, minimizing microgap between the implant-to-abutment connection



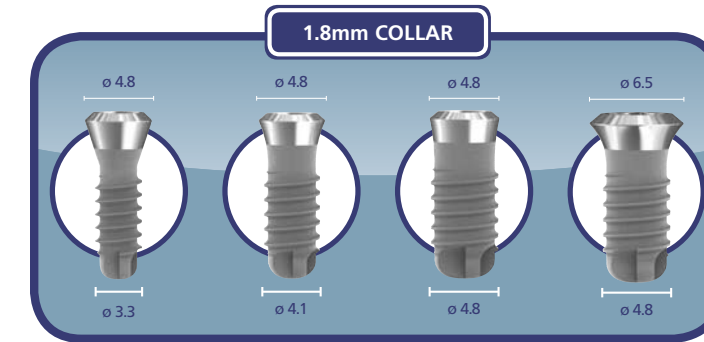
5 Self-Tapping Cutting Threads facilitates implant placement and enhances primary stability



3 Beveled Platform provides optimal load distribution between abutment and implant

Flexible Solutions

The SybronPRO™ TL implants are available in 3.3mm, 4.1mm and 4.8mm diameters and a variety of lengths ranging from 6–14mm (2mm increments). The implants are available in a 1.8mm or 2.8mm collar and have an internal octagon morse taper connection.



Additional Features
Interchangeable Abutments
SybronPro™ XRT and TL abutments are interchangeable minimizing restorative inventories



Mount Free Delivery
promotes clinical efficiency during implant placement

Surgical Kit

The SybronPRO™ Series Surgical Kit contains all surgical instrumentation for the placement of the SybronPRO™ XRT and TL implants. The surgical kit is organized in an easy to follow, step-by-step format with all components labeled for easy return to the tray after surgery.





Headquarters

1717 West Collins Avenue
Orange, California 92867 USA
T 714.516.7800
F 714.516.7866

International

Europe

Sybron Implant Solutions GmbH
Julius-Bamberger-Str. 8a
28279 Bremen Germany
T 49.421.43939.0
F 49.421.443936

United Kingdom

Sybron Implant Solutions U.K.
Suite 5 & 6, Tadcaster House
Kempton Road Keytec 7 Business Park
Pershore, Worcestershire, WR10 2TA
T 44.1386.561.845
F 44.1386.555.177

France

Sybron Implant Solutions France
16 Rue Du Sergent Bobillot
93100 Montreuil
T 33.149.88.60.85
F 33.149.88.60.86

Australia

Sybron Implant Solutions Pty
Unit 10, 112-118 Talavera Road
North Ryde, NSW 2113
T 61.2.8870.3099
F 61.2.8870.3088